

T&S BRASS AND BRONZE WORKS, INC.

2 Saddleback Cove / P.O. Box 1088
Travelers Rest, SC 29690

Model No.

B-0155-LNEZ

Item No.

Travelers Rest, SC: 800-476-4103 • Simi Valley, CA: 800-423-0150 • Fax: 864-834-3518 • www.tsbrass.com



ADA Compliant

This Space for Architect/Engineer Approval

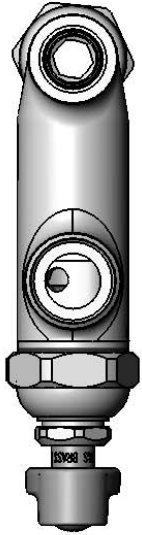
Job Name _____ Date _____

Model Specified _____ Quantity _____

Customer/Wholesaler _____

Contractor _____

Architect/Engineer _____

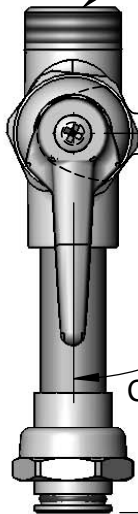


Swivel to Rigid Lock Washer (Included)

3/8" Hex L-Key To Remove Existing Riser Swivel Piece (Included)



Swivel Outlet Accepts Standard T&S Swing Nozzles



Fully Open

90°

Closed

1/4 Turn Eterna Cartridge & Lever Handle

3 15/16" [100mm]

2 5/16" [59mm]

3/8" NPT Female Outlet

5 1/8" [131mm]

4 15/16" [125mm]

Inlet Connection Fits T&S EasyInstall Base Faucets. (See Note 3)

Notes:

1. Add-On Faucet is an Addition to Pre-Rinse Units and is Installed in Outlets of Base Mixing Faucets of Units Before Fitting Riser Pipes.
2. Lever Handle Controls Water On-Off Thru Nozzle Only. Pressure is Always "On" in Riser Pipe (Controlled by Base Mixing Faucet).
3. Place Lock Washer into Base Faucet Outlet & Lubricate O-Ring Prior to Installing Add-On Faucet

Product Specifications:

EasyInstall Add-On Faucet w/ 1/4 Turn Eterna Cartridge & Lever Handle (Less Nozzle)

Product Compliance:

ASME A112.18.1 / CSA B125.1
NSF 61 - Section 9
NSF 372 (Low Lead Content)
ANSI A117.1 (ADA)



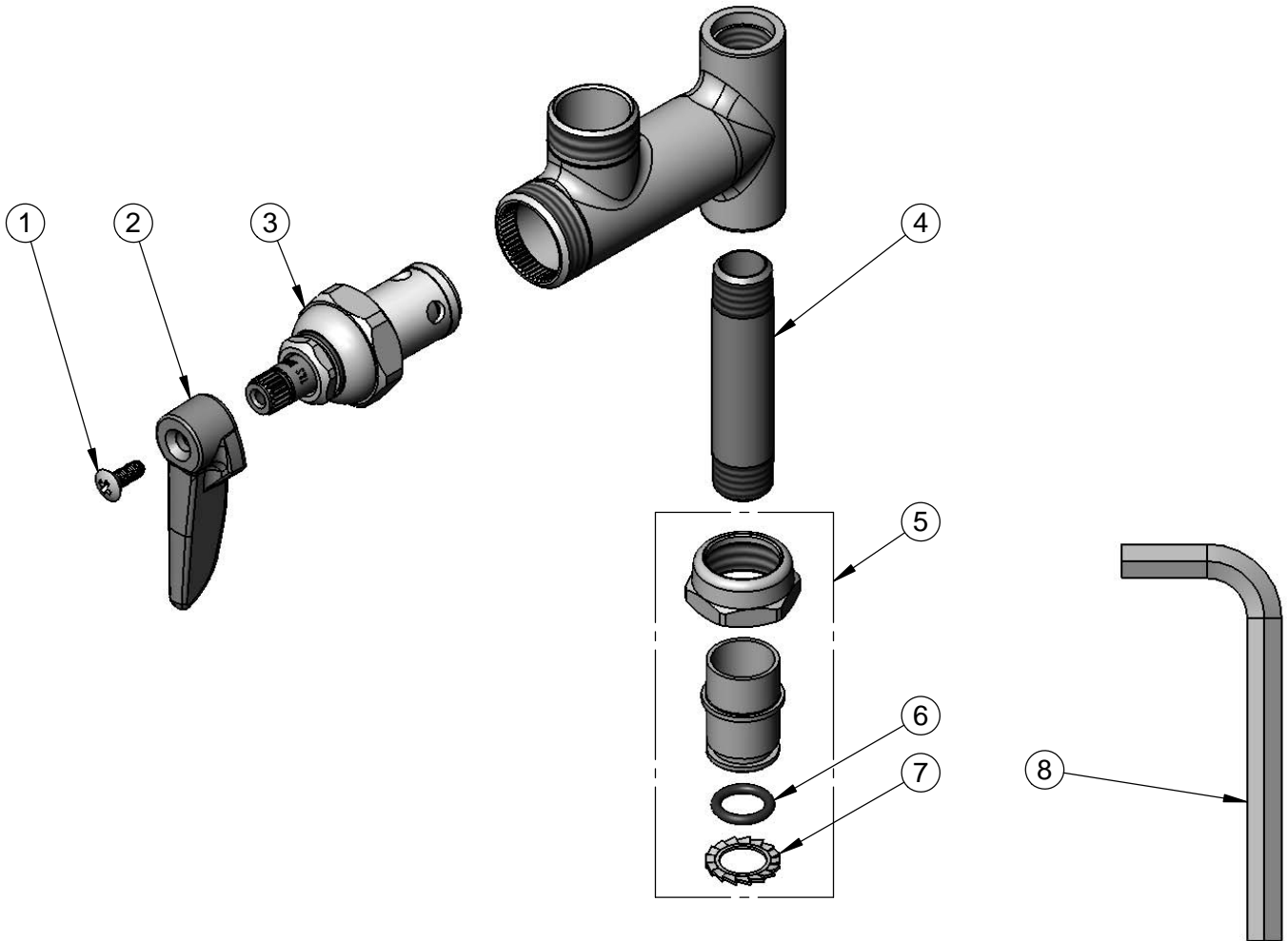
T&S BRASS AND BRONZE WORKS, INC.
 2 Saddleback Cove / P.O. Box 1088
 Travelers Rest, SC 29690

Model No.
B-0155-LNEZ

Item No.

Travelers Rest, SC: 800-476-4103 • Simi Valley, CA: 800-423-0150 • Fax: 864-834-3518 • www.tsbrass.com

ITEM NO.	SALES NO.	DESCRIPTION
1	000922-45	Lever Handle Screw
2	001638-45	Lever Handle
3	005960-40QT	1/4 Turn Eterna Cartridge, RTC
4	000358-40	Nipple, 3/8" NPT x 3"
5	EZ-K	EasyInstall Installation Kit
6	001065-45	O-Ring
7	014200-45	Star Washer, Anti-Rotation
8	001409-45	Hex L-Key



Product Specifications:
EasyInstall Add-On Faucet w/ 1/4 Turn Eterna Cartridge & Lever Handle (Less Nozzle)

Product Compliance:
 ASME A112.18.1 / CSA B125.1
 NSF 61 - Section 9
 NSF 372 (Low Lead Content)
 ANSI A117.1 (ADA)